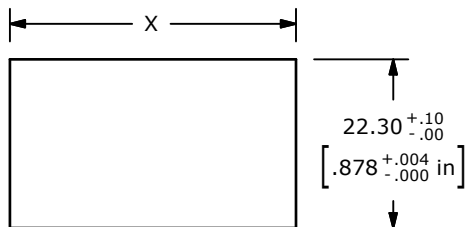
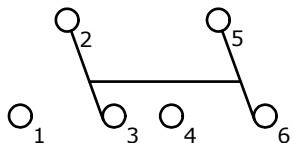


SWITCH FUNCTION ▲		
POS. 1	POS. 2	POS. 3
ON	N/A	ON
2-3, 5-6	N/A	2-1, 5-4

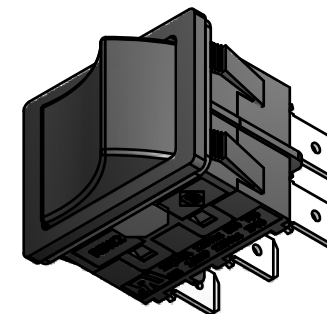


RECOMMENDED PANEL MOUNTING

PANEL THICKNESS	X
1.2-1.8	29.9/30.0
1.8-2.4	30.3/30.4
2.4-3.0	30.7/30.8

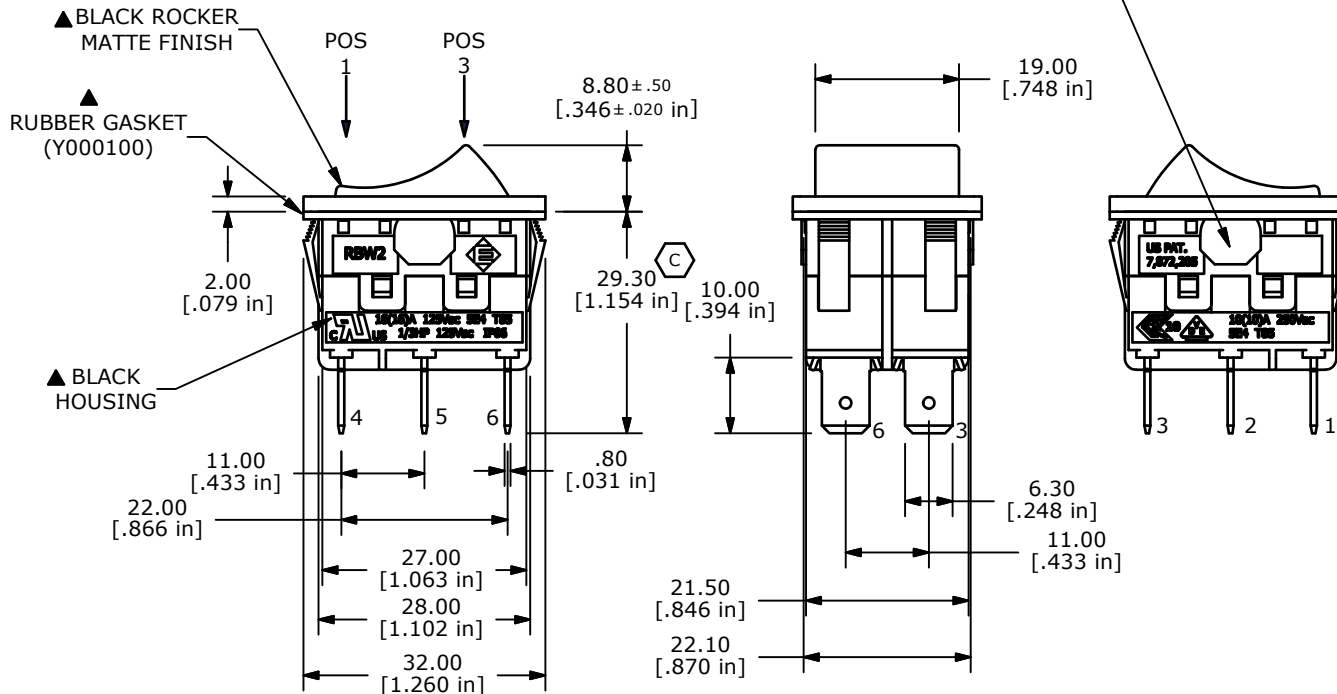


CIRCUIT: DPDT  
ON-ON



NOTES:

1. ALL DIMENSIONS IN MM [INCH]
2. GENERAL TOLERANCE: X.X=±0.4  
X.XX=±0.25
3. TERM. NOS. FOR REF. ONLY
4. RATING: CUL: 16(16)A 125VAC 5E4 T85  
1/3HP 125VAC IP66  
VDE: 10(10)A 250VAC 5E4 T85
5. MECHANICAL LIFE: 50,000 CYCLES
6. CONTACT RESISTANCE: <30 MILLI-OHMS INITIAL
7. DIELECTRIC STRENGTH: 1000V AC 1MIN
8. ▲DENOTES CRITICAL PARAMETER.
9. INSULATION RESISTANCE: 500M OHMS AT 500VDC
10. OPERATING TEMP: -20°C to 85°C
11. RATING: IP66
12. 2002/95/EC (ROHS) COMPLIANT



REV	PCR NO	DESCRIPTION	DATE	BY
C	20086	ADD RUBBER PLUG & GASKET, was 29.00	8/10/11	BGL
B	19686	UPDATE SYMBOLS ON HOUSING	02/16/11	BMA
A	19551	New Release	12/29/10	rc



TITLE RBW2BBLKBLKEFO				
SCALE	DATE	DR	DWG	REV
2:1	12/27/2010	rc	Y100001	C